



**SEA-BIRD**<sup>®</sup>

AN ISO 9001:2000 ORGANIZATION

Refrigeration Technologies



**EVAPORATOR/  
INDOOR UNITS**  
SUSPENSION TYPE AIR COOLER

**AMOKING**<sup>®</sup>

R134a / R404A / R507A / R407C/ R22



ENVIRONMENT  
FRIENDLY





LESS ELECTRICITY  
CONSUMPTION



WORLD CLASS  
TECHNOLOGY

[www.amoking.com](http://www.amoking.com)  
[www.seabird.in](http://www.seabird.in)  
email:[info@amoking.com](mailto:info@amoking.com)

  
**SINCE 1983, SEA-BIRD HAS BEEN SOARING GREAT HEIGHTS IN AIR-CONDITIONING & REFRIGERATION INDUSTRY. WITH ITS CREAM OF PROFESSIONALS, INNOVATIVE IDEAS AND LATEST COMPONENTS, SEA-BIRD HAS BEEN CHURNING OUT WIDEST RANGE OF SEMI-HERMETIC AND OPEN TYPE COMPRESSORS, CONDENSING UNITS, RECEIVERS, OIL SEPARATOR, ACCUMULATOR, HEAT EXCHANGERS ARE SPELLING PERFECTION. AMOKING IS JUST ONE OF THE TRUSTED NAMES. BUT WE NEVER RESTED. BEING AN ISO 9001:2000 COMPANY, SEA-BIRD HAS NOW IMPORTED HIGH-PERFORMANCE, HIGH SPEED CNC MACHINES FROM MAKINO, JAPAN. FOR, OUR QUEST TO BETTER THE BEST NEVER CEASES.**  




## AIR COOLER SERIES

### INTRODUCTION

Serial air cooler is a kind of cooling equipment suitable for cold storage, which includes eight types, i.e. SLE, SULE, SAD, SMK, SMV, SMT, SMA, SMAD. It owns the advantages of Compactness, lightness and saving the actual room of cold storage. It can cool down the cold storage rapidly and greatly improve the freshness of preserved food.

### APPLICATION

S type serial Air cooler can be used for different cold storage temperatures viz. high temperature, is applicable for cold storage above 0° C, keeping fresh food such as vegetables, fruits and eggs; medium temperature, for cold storage around - 18° C, keeping food such as meat and aquatic products; low temperature, for -25° cold storage, used for freezing fresh meat, fish products, ice-cream and other fast frozen items.

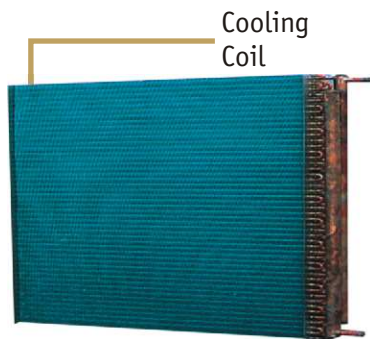
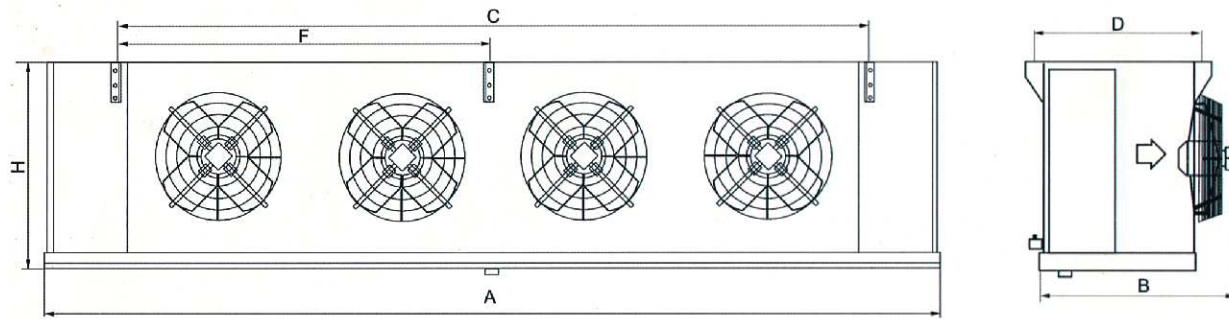
### STRUCTURE FEATURES

1. Coil: use new high efficient aluminum wave fin, high heat conductivity, fast water discharge; use high efficient grooved copper pipe, high heat transfer; use new liquid distributor, uniform frost.
2. Fan: low cost, high reliability, lower temperature- resistant and low noise external Rotor fans.
3. Defrost: use electric heating stainless steel pipe, high leakproofness at the end, anti-electric leakage and long life.
4. Casing: use aluminum plate and stainless steel or cold plastic spraying plate, nice appearance and durable.
5. Maintenance: flexible to disassemble and lean.

### INSTALLATION DESCRIPTION OF SUSPENSION TYPE AIR COOLER

1. Suspend on the ceiling with four or six bolts.
2. Keep the air cooler flatly.
3. Keep the discharge tube some angle against outside to discharge water.
4. Keep the wind inlet far away from the wall to make sufficient return air.
5. Keep the wind outlet far away from the beam and vertical Pillar to maximize the delivering distance.

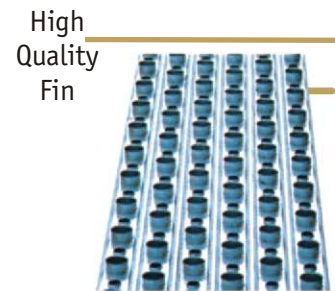
## DRAWING OF SLE / SULE / SAD TYPE AIR COOLER



Cooling Coil



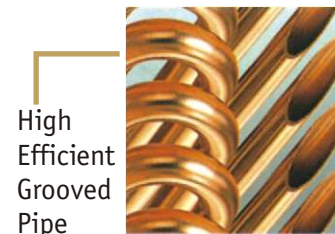
High Efficient External Rotor Fan



High Quality Fin



Copper Fin Evaporator



High Efficient Grooved Pipe

## SLE/SULE Electric Defrost Models 50 Hz.

Model	Btuh 6°C TD		Motor Info. 230/1 (All)			Defrost Heater Info				Dimensions (In.)			Connections (In.)			Approx Ship Wt (kg.)
	- 6°C SST	- 29°C SST	CFM	Qty	FLA	Watts	230/1 Amps	230/3 Amps	460/1 Amps	L	H	W	Liq.	Suct.	Drain	
<b>6 PFI Models</b>																
SLE 040	4600	4000	840	1	1.1	1000	4.35	-	-	29	15	12	½ OD	5/8 OD	5/8 MF	19
SLE 047	5400	4700	820	1	1.1	1000	4.35	-	-	29	15	12	½ OD	5/8 OD	5/8 MF	20
SLE 065	7500	6500	1570	2	2.2	1000	6.96	4.60	3.48	41	15	12	½ OD	5/8 OD	5/8 MF	27
SLE 090	10400	9000	1680	2	2.2	2000	8.70	5.80	4.35	49	15	12	½ OD	7/8 OD	5/8 MF	33
SLE 120	13800	12000	2520	3	3.3	3000	13.04	8.60	6.52	69	15	12	½ OD	7/8 OD	5/8 MF	42
SLE 160	18400	16000	3360	4	4.4	4000	17.39	11.50	8.70	89	15	12	½ OD	11/8 OD	¾ FPT	55
SLE 200	23000	20000	4200	5	5.5	5000	21.74	14.40	10.87	109	15	12	½ OD	11/8 OD	¾ FPT	97
SLE 240	27600	24000	5040	6	6.6	6000	26.09	17.20	13.04	129	15	12	½ OD	11/8 OD	¾ FPT	110
<b>4 PFI Models</b>																
SULE 068	8000	6800	1740	2	2.2	2000	8.70	5.80	4.35	49	15	12	5/8 OD	7/8 OD	5/8 MF	25
SULE 102	12000	10200	2610	3	3.3	3000	13.04	8.60	6.52	69	15	12	5/8 OD	7/8 OD	5/8 MF	43
SULE 136	16000	13600	3480	4	4.4	4000	17.39	11.50	8.70	89	15	12	7/8 OD	11/8 OD	¾ FPT	56
SULE 170	20000	17000	4350	5	5.5	5000	21.74	14.40	10.87	109	15	12	7/8 OD	11/8 OD	¾ FPT	94
SULE 204	24000	20400	5220	6	6.6	6000	26.09	17.20	13.04	129	15	12	7/8 OD	11/8 OD	¾ FPT	103

All SLE and SULE unit coolers have ¼" OD external equalization connection shading Indicates, also Schrader valve in suction line for Checking Superheat. SULE Model with 4 Fins per inch and SLE Model with 6 Fins per inch.

## SAD Air Deforst Models 50Hz.

SAD Model Size	Capacity BTUH 6°C TD -4°C SST	Fan Data				Motor Data (Total Amps)					
		CFM	m <sup>3</sup> h	No.	HP	110/ 1/50 Watts		220/ 1/50 Watts		380/ 1/50 Watts	
SAD 040	3,800	670	1,117	1	1/15	1.0	68	0.5	65	0.4	82
SAD 052	4,940	630	1,070	1	1/15	1.0	68	0.5	65	0.4	82
SAD 065	6,175	586	995	1	1/15	1.0	68	0.5	65	0.4	82
SAD 070	6,650	1,315	2,234	2	1/15	2.0	136	1.0	130	0.8	164
SAD 090	8,550	1,260	2,142	2	1/15	2.0	136	1.0	130	0.8	164
SAD 104	9,880	1,260	2,142	2	1/15	2.0	136	1.0	130	0.8	164
SAD 120	11,400	1,170	1,989	2	1/15	2.0	136	1.0	130	0.8	164
SAD 130	12,350	1,170	1,989	2	1/15	2.0	136	1.0	130	0.8	164
SAD 140	13,300	1,891	3,213	3	1/15	3.0	204	1.5	195	1.2	246
SAD 156	14,820	1,891	3,213	3	1/15	3.0	204	1.5	195	1.2	246
SAD 180	17,100	1,756	2,984	3	1/15	3.0	204	1.5	195	1.2	246
SAD 208	19,760	2,521	4,284	4	1/15	4.0	272	2.0	260	1.6	328
SAD 260	24,700	2,927	4,973	5	1/15	5.0	340	2.5	325	2.0	410
SAD 312	29,640	3,512	5,967	6	1/15	6.0	408	3.0	390	2.4	492
SAD 370	35,150	3,512	5,967	6	1/15	6.0	408	3.0	390	2.4	492

## Large Unit Coolers 50Hz

Electric Defrost Model Size	Capacity BTUH 6°C TD -29°C SST	Fan Data					Standard Motor Data				Defrost Heaters	
		Standard CFM	No.	Dia. fn.	Air Throw (Ft)		HP Ea.	Total Amps			Total Amps	
					Std.	Collar		380/1/50 Wired 1 phase	380/1/50 Wired 3 phase	380/3/50	Watts	380/3/50
<b>6 FPI MODELS</b>												
SMK 450	41400	8100	2	24	60	80	½+	3.4	-	2.6	6760	11.5
SMK 550	50600	8100	2	24	60	80	½+	3.4	-	2.6	6760	11.5
SMK 640	58900	11300	3	24	60	80	½+	-	3.0	3.9	8800	15.0
SMK 740	68100	11300	3	24	60	80	½+	-	3.0	3.9	8800	15.0
SMK 810	74500	15100	4	24	60	80	½+	-	4.7	5.2	11640	20.1
SMK 950	87400	15100	4	24	60	80	½+	-	4.7	5.2	11640	20.1
SMK 1020	93800	18600	3	30	90	100	1	-	-	6.9	14600	26.5
SMK 1200	110400	18600	3	30	90	100	1	-	-	6.9	14600	26.5
SMK 1390	127990	21900	3	30	90	100	1-1/2	-	-	9.9	14600	26.5
SMK 1650	151800	23900	3	30	110	130	1-1/2	-	-	10.5	22930	39.2
SMK 2120	195000	31900	4	30	110	130	1-1/2	-	-	14.0	33850	57.8
<b>4 FPI MODELS</b>												
SMV 400	36800	8500	2	24	60	80	½+	3.4	-	2.6	6760	11.5
SMV 480	44200	8500	2	24	60	80	½+	3.4	-	2.6	6760	11.5
SMV 560	51500	11900	3	24	60	80	½+	-	3.0	3.9	8800	15.0
SMV 650	59800	11900	3	24	60	80	½+	-	3.0	3.9	8800	15.0
SMV 710	65300	15900	4	24	60	80	½+	-	4.7	5.2	11640	20.1
SMV 840	77300	15900	4	24	60	80	½+	-	4.7	5.2	11640	20.1
SMV 890	81900	19500	3	30	90	100	1	-	-	6.9	14600	26.5
SMV 1050	96600	19500	3	30	90	100	1	-	-	6.9	14600	26.5
SMV 1220	112200	22700	3	30	90	100	1-1/2	-	-	9.9	14600	26.5
SMV 1440	132500	24900	3	30	110	130	1-1/2	-	-	10.5	22930	39.2
SMV 1860	171100	33100	4	30	110	130	1-1/2	-	-	14.0	33850	57.8

K= 6 FPI Electric defrost, V= 4 FPI Electric defrost, T= 6 FPI Hot Gas Defrost, A= 4 FPI Hot Gas Defrost, AD= 6 or 8 FPI Air Defrost  
T, A, AD Data on request



**SEA-BIRD**<sup>®</sup>  
AN ISO 9001:2000 ORGANIZATION

## SEA-BIRD REFRIGERATION PVT. LTD.

282, Patparganj Industrial Estate, Patparganj, Delhi-110092 (INDIA)

Tel: +91-11-22148267, 22155684 Fax: +91-11-22141668

www.amoking.com

www.seabird.in

email : info@amoking.com